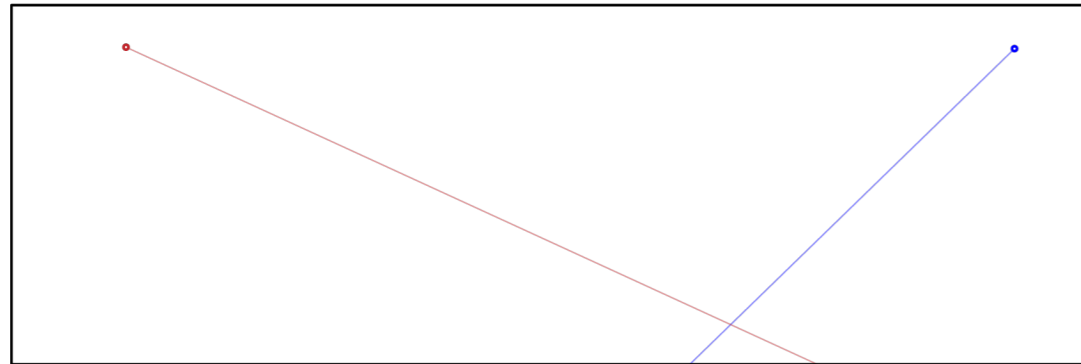


With Perspective 视角绘图

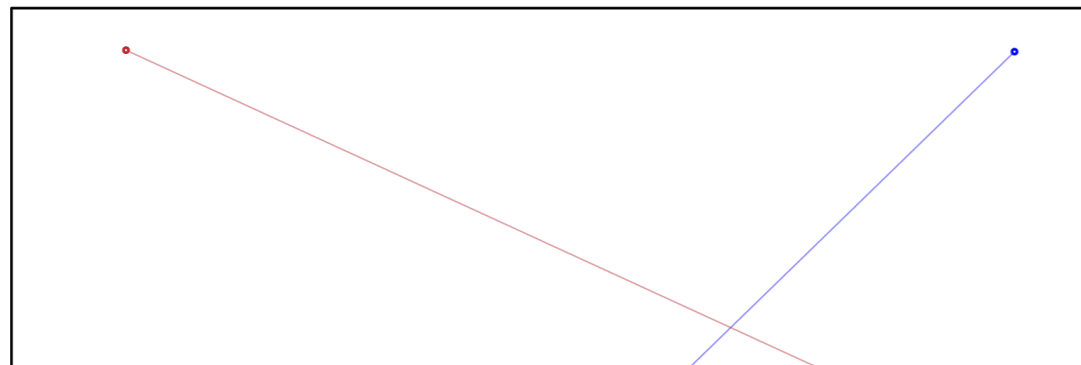
Practice: Try drawing the complex shape from the previous page with perspective. You will need to draw additional guidelines. Your box can be a different shape and size than the example.

练习：试图用视角绘图绘制出一个复杂的图形，添加线条你的绘图将会呈现出与例图不一样的形状和大小。



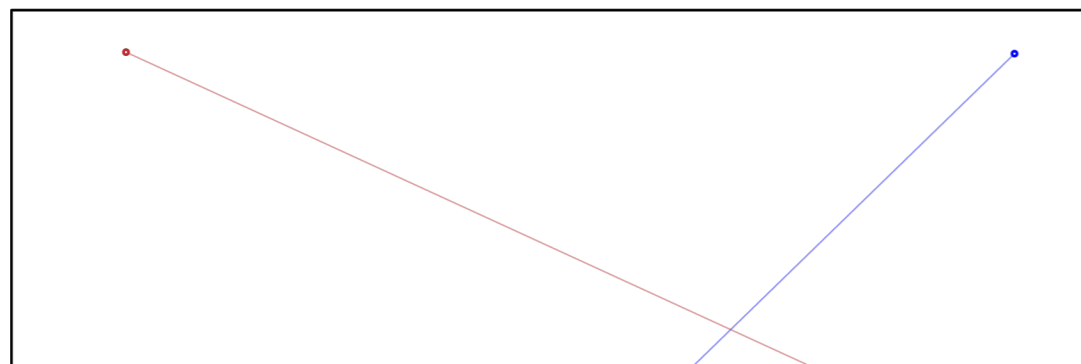
Final Sketch: Draw the box with perspective one more time. Then use your pencil or colored pencils to shade the shape so that it looks like a 3-Dimensional object.

最后的草图：再画一次透视框。然后用铅笔或彩色铅笔对形状进行着色，使其看起来像三维物体。



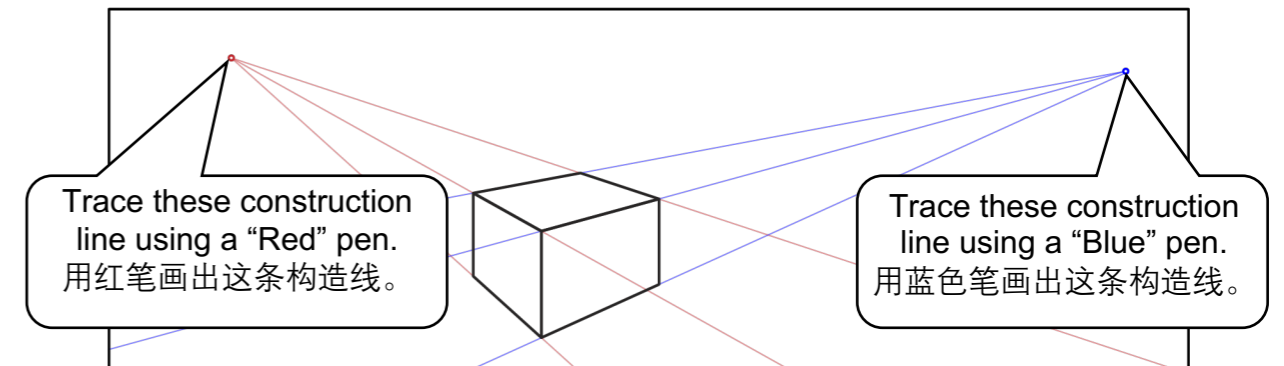
Extra Template: If you were not successful on your first attempt try again and improve your drawing. Remember Practice Makes Perfect.

附加模板：如果前一个绘图做的不好，这里可以再重新尝试一次哦，希望你能成功。记住：熟能生巧！

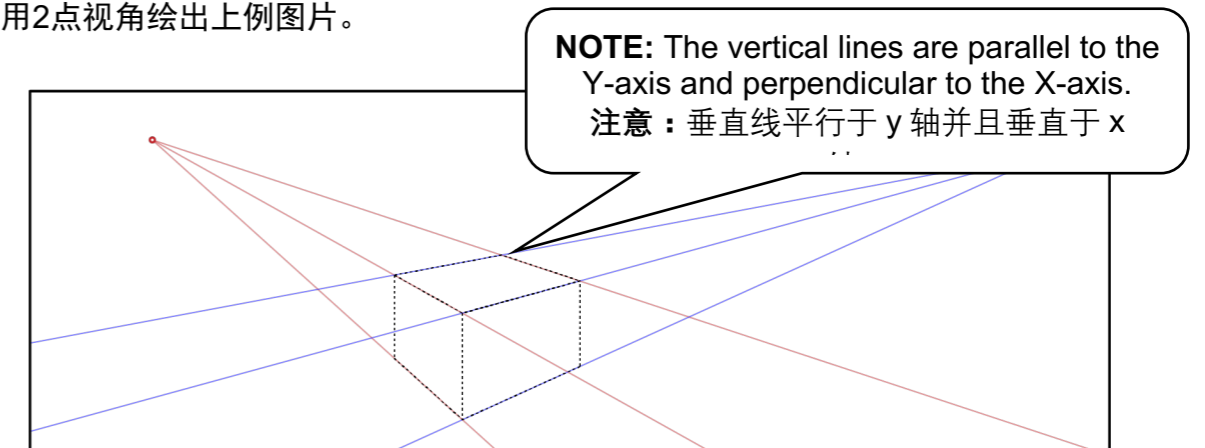


Class Period: _____ Name: _____

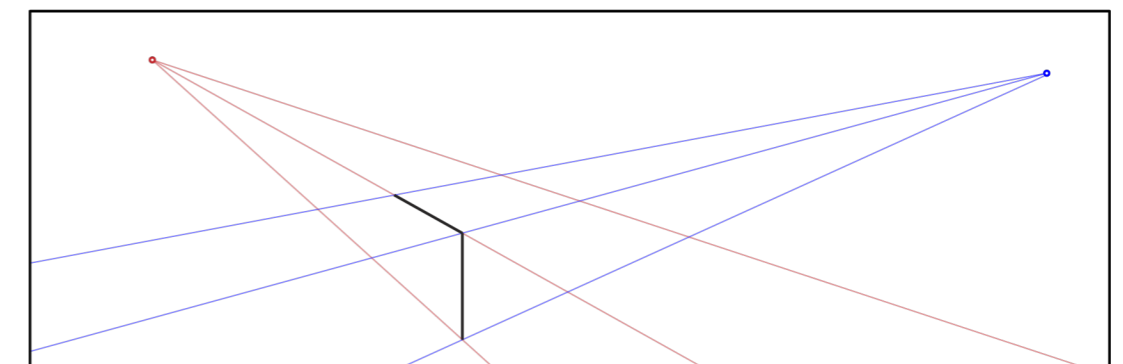
Look at the example. Try drawing this box using 2-point perspective. The two perspective points are shown using different colored lines, Red and Blue. All the perspective guidelines originate from one location and spread out like a fan. 请看下例，该图是使用 2 个视角画出来的，且分别用红色线和蓝色线标注出来，而所有的同种线条都是从一个点发射出来就像一把扇子。



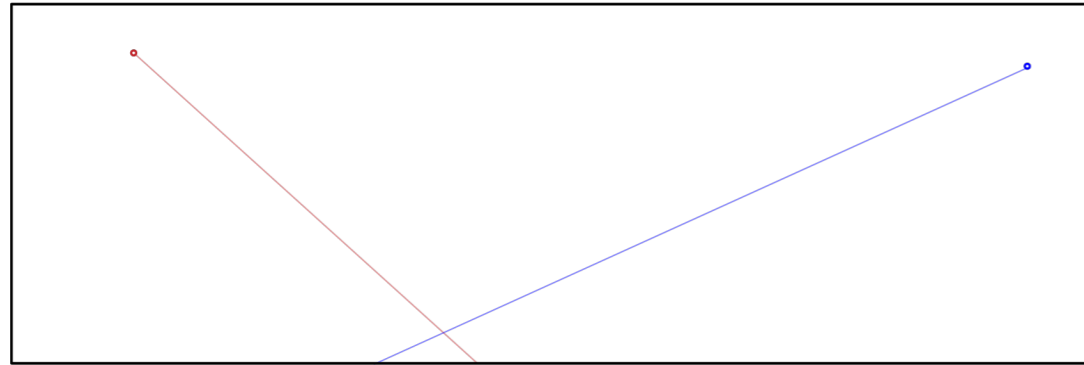
Trace the example to practice drawing a picture using 2-point perspective. 使用2点视角绘出上例图片。



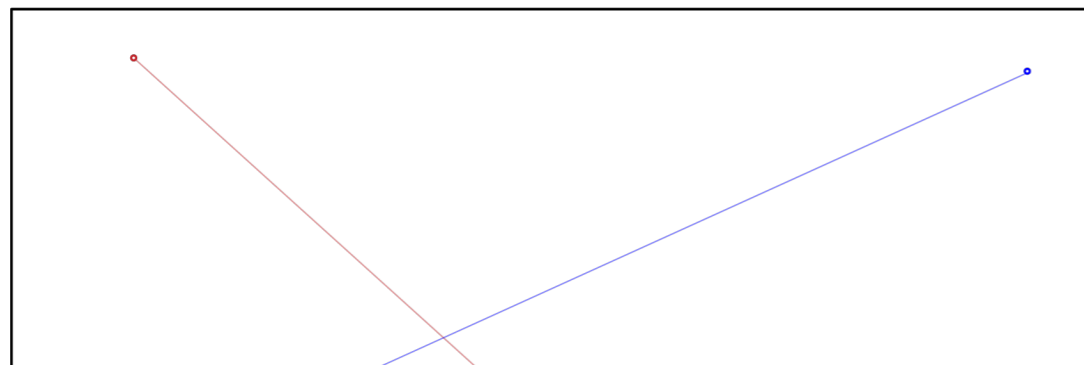
Complete the picture of the box. 完成下图。



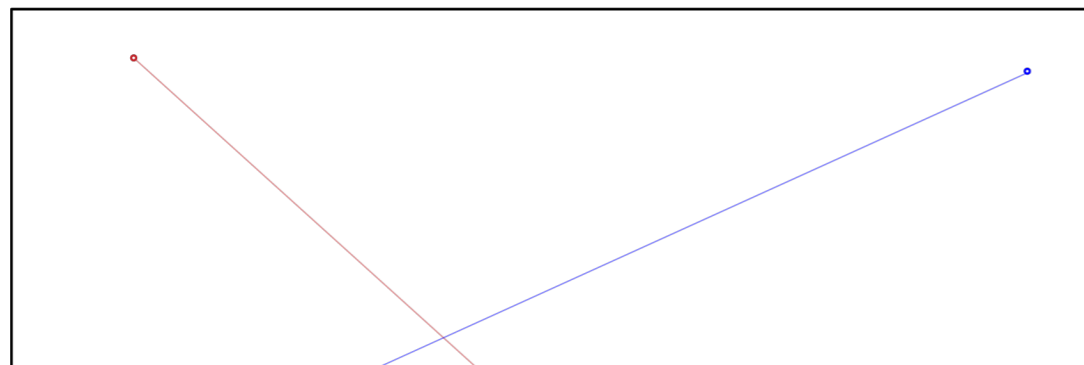
Practice: Try drawing a box with perspective. You will need to draw additional guidelines. Your box can be a different shape and size than the example.
 练习：试图用视角绘图，添加线条你的绘图将会呈现出与例图不一样的形状和大小。



Final Sketch: Draw the box with perspective one more time. Then use your pencil or colored pencils to shade the shape so that it looks like a 3-Dimensional object.
 最后的草图：再画一次透视框。然后用铅笔或彩色铅笔对形状进行着色，使其看起来像三维物体。

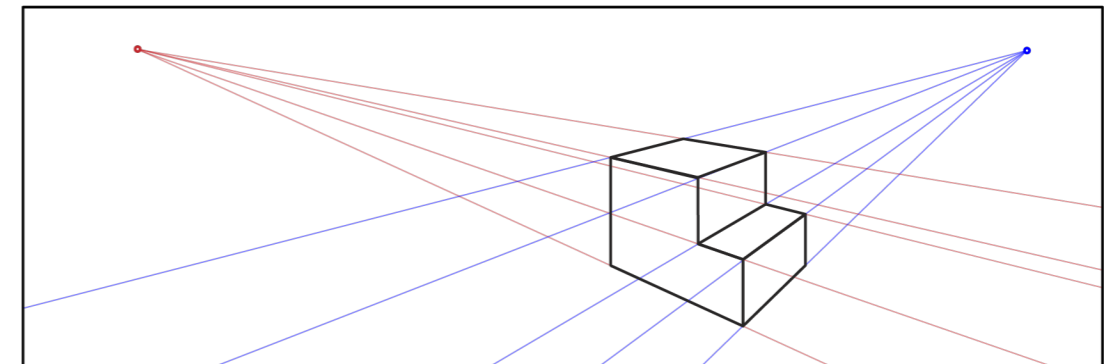


Extra Template: If you were not successful on your first attempt try again and improve your drawing. Remember Practice Makes Perfect.
 附加模板：如果前一个绘图做的不好，这里可以再重新尝试一次哦，希望你能成功。
 记住：熟能生巧！

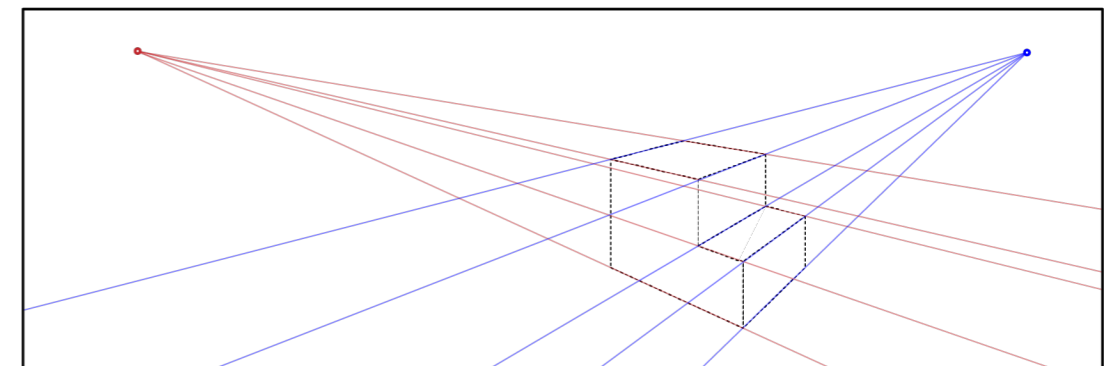


A Complex Shape:

Look at the example. Try drawing this box using 2 point perspective. The two perspective points are shown using different colored lines, Red and Blue. All the perspective guidelines originate from one location and spread out like a fan.
 请看下例，该图是使用2个视角画出来的，且分别用红色线和蓝色线标注出来，而所有的同种线条都是从一个点发射出来就像一把扇子。



Trace the example to practice drawing a picture using 2 point perspective.
 使用2点视角绘出上例图片。



Complete the picture of the box.
 完成下图。

