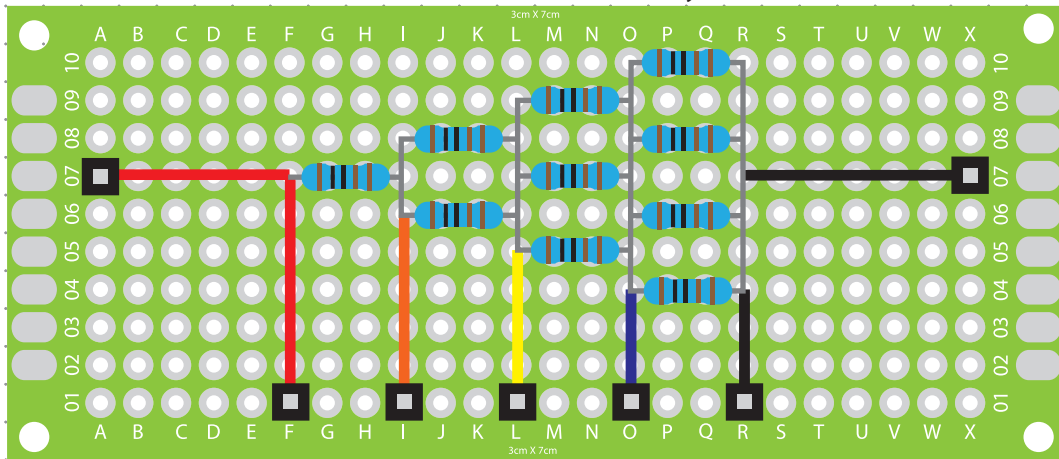
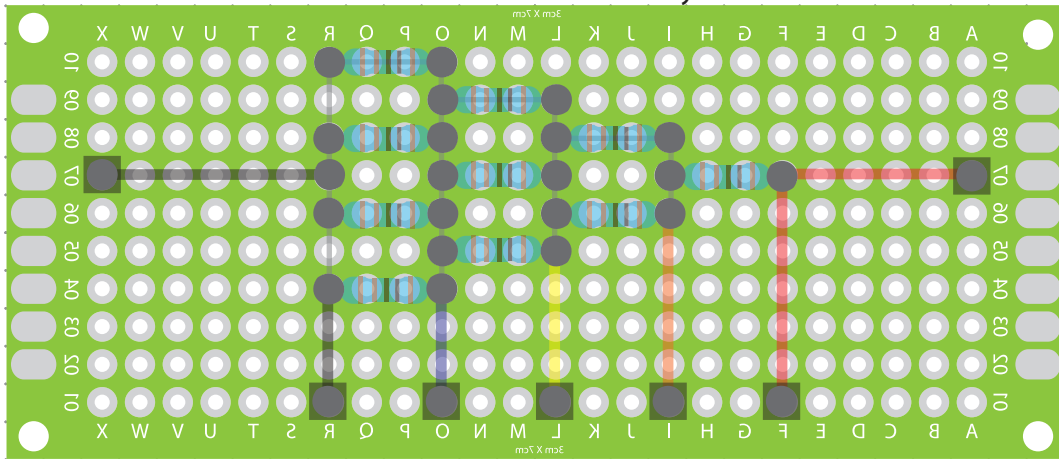


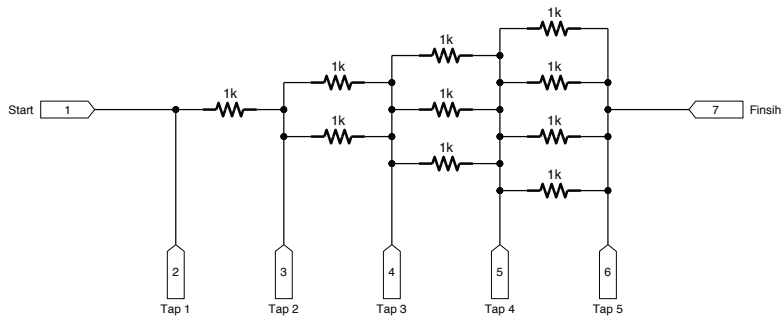
Front View: Circuit Board Layout



Back View: Circuit Board Layout



Electrical Schematics



Materials:

- 1 3x7cm circuit board
- 7 Bridge pins
- 10 1K resistor
- 1 20cm length of wire
- 5 Lengths of assorted wire

Project: Resistor Pryamid Puzzle

Client:

5mm Dot Grid

Designer: Scott A. Campbell

Builder:

Scale:

2:1