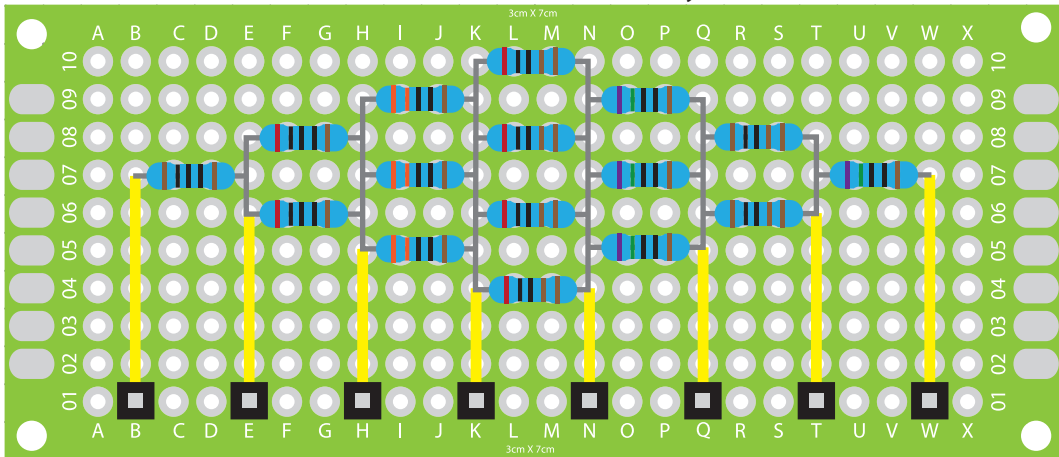
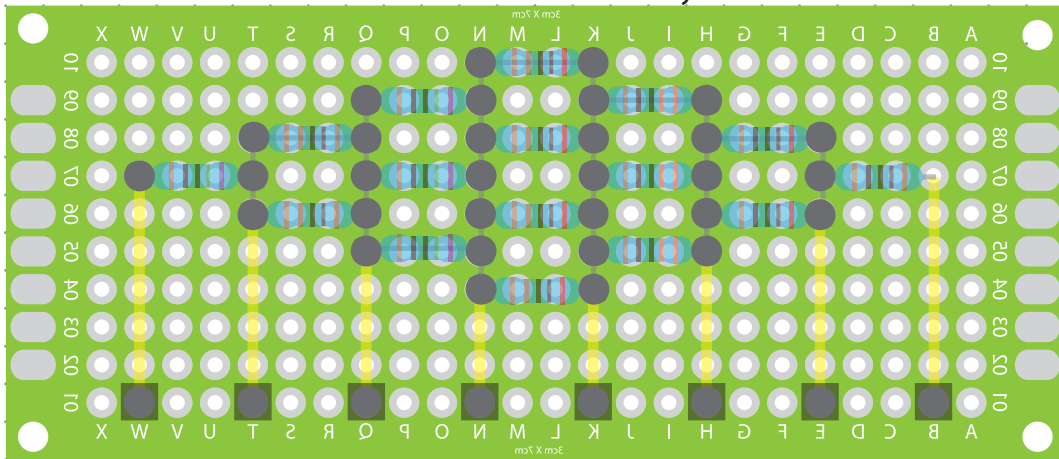


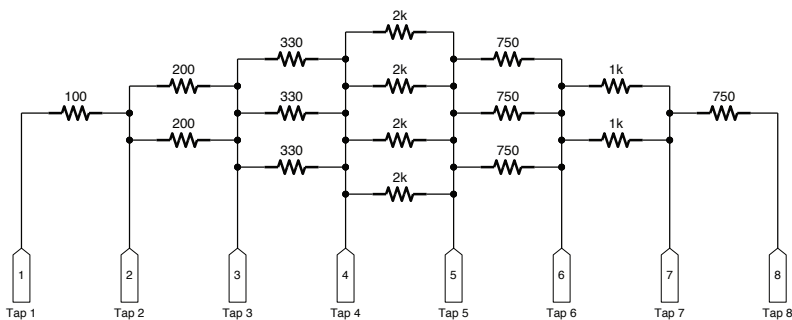
### Front View: Circuit Board Layout



### Back View: Circuit Board Layout



### Electrical Schematics



### Materials:

- 1 3x7cm Circuit Board
- 8 Bridge Pins
- 1 100 Resistor
- 2 200 Resistor
- 3 330 Resistor
- 4 750 Resistor
- 2 1K Resistor
- 4 2K Resistor
- 1 30cm Length - Yellow Wire

Project: Resistor Diamond Puzzle

Client:

5mm Dot Grid

Designer: Scott A. Campbell

Builder:

Scale:

2:1