

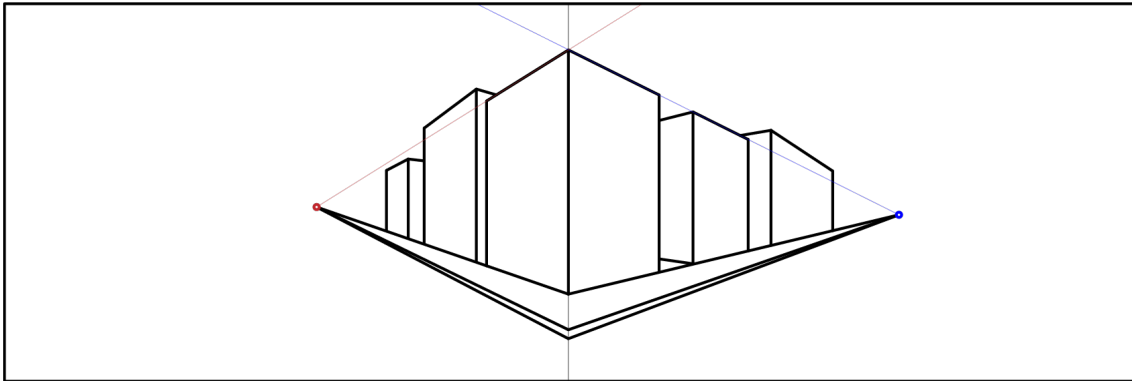
Drawing A Cityscape 城市视角绘图

Class Period: _____

Name: _____

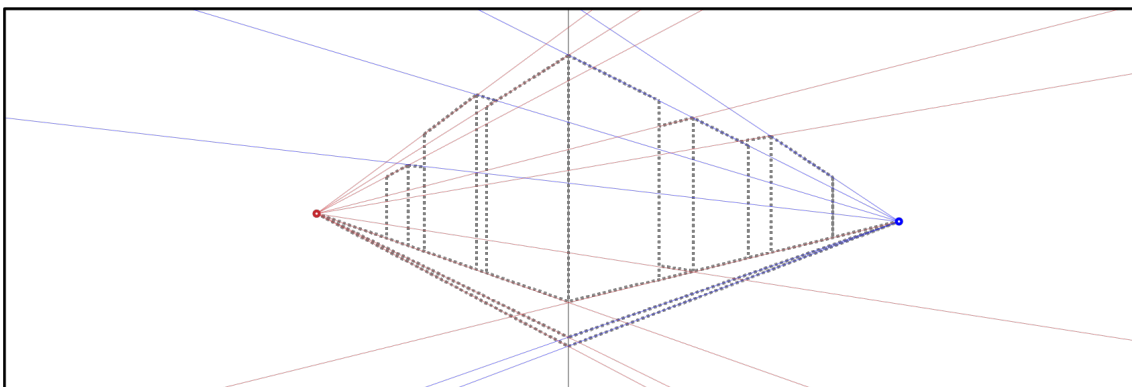
Look at the example provided. This example is drawn using 2-point perspective. The two perspective points are shown using different colored lines, Red and Blue. All the perspective guidelines originate from one location and spread out like a fan.

请看下例，该图是使用2个视角画出来的，且分别用红色线和蓝色线标注出来，而所有的同种线条都是从一个点发射出来就像一把扇子。



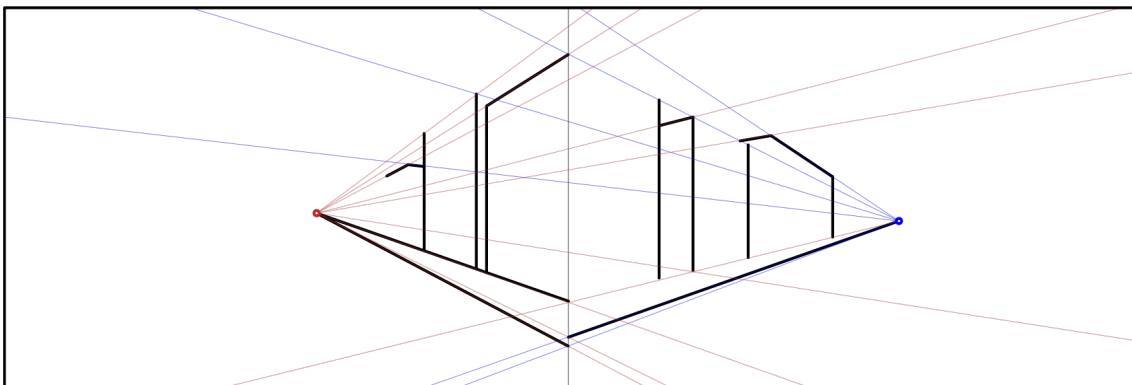
Trace the example to practice drawing a picture using 2 point perspective.

使用2点视角绘出上例图片。



Complete the picture of the buildings on the street.

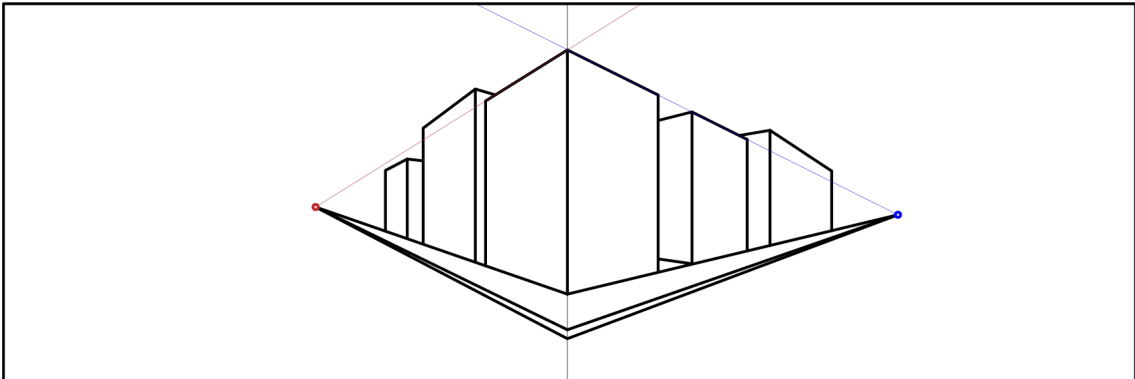
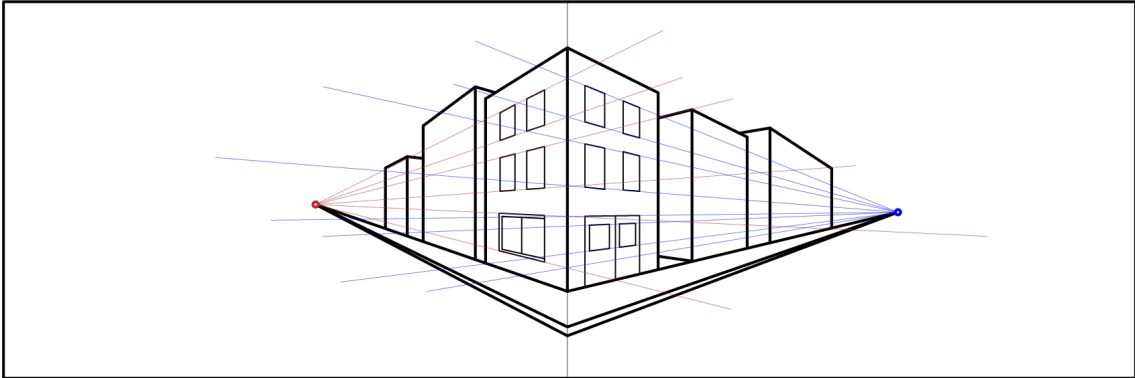
完成下列街道建筑图。



Drawing A Cityscape 城市视角绘图

Add features such as windows and doors to your buildings. Draw guide lines to help. Look at the provided example for reference.

给你的建筑大楼添加窗户和门。参照下例使用绘图线。



Extra Template: If you were not successful on your first attempt try again and improve your drawing. Remember Practice Makes Perfect.

附加模板：如果前一个房屋绘图做的不好，这里可以再重新尝试一次哦，希望你能成功。记住：熟能生巧！

