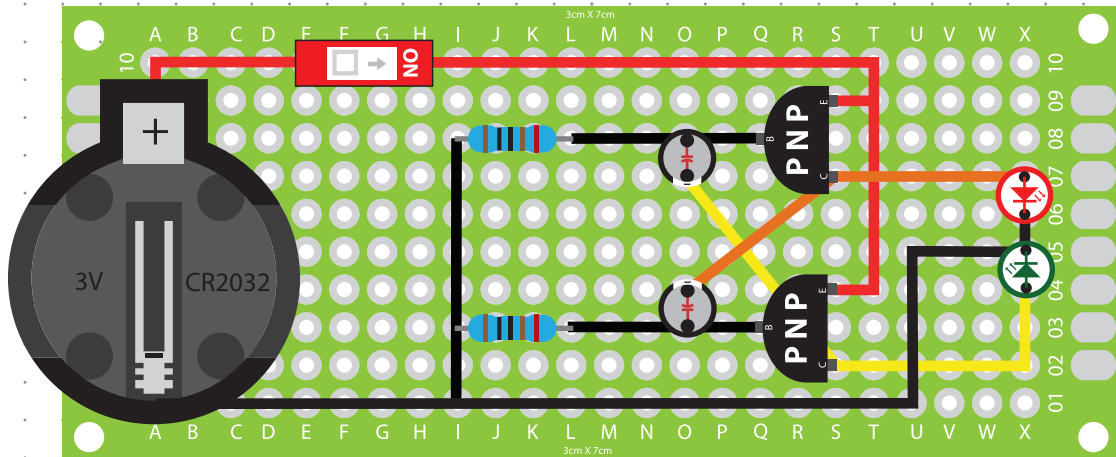
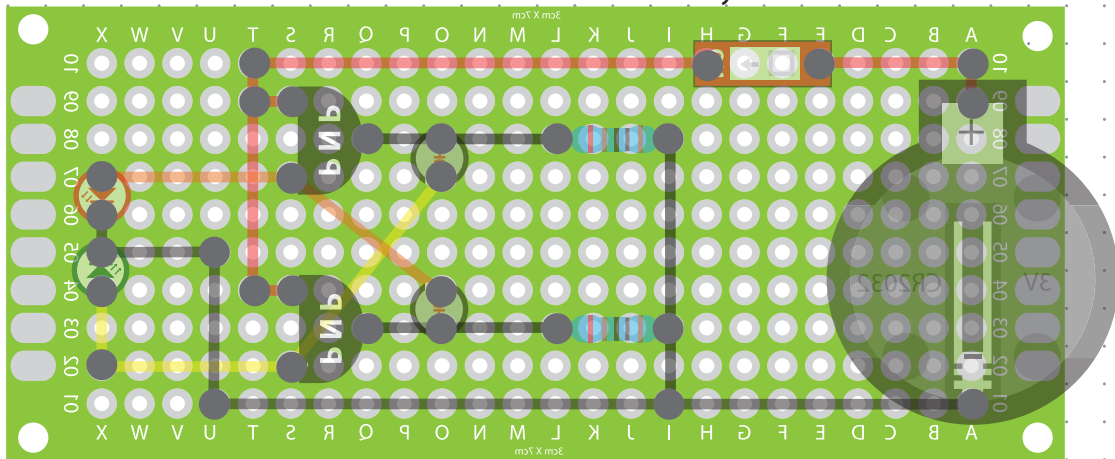


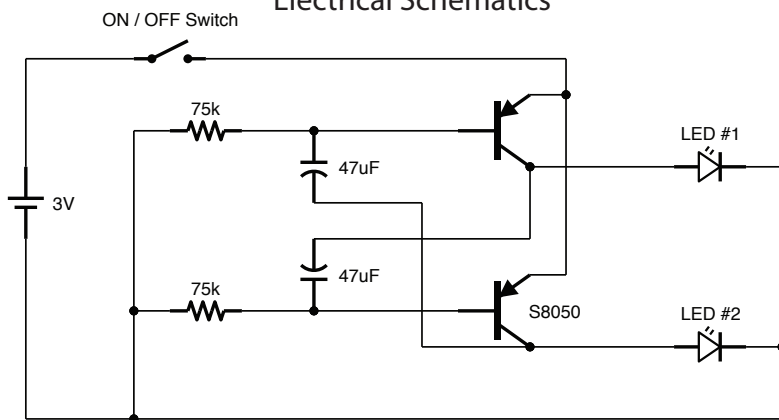
Front View: Circuit Board Layout



Back View: Circuit Board Layout



Electrical Schematics



Materials:

- 1 3x7cm Circuit Board
- 1 CR2032 Battery Clip
- 1 ON / OFF Switch
- 1 75 cm Assorted Wires
- 2 S8050 PNP Transistors
- 2 47uf 16V Capacitors
- 2 75k Resistors
- 1 Green LED
- 1 Red LED

Project: Self Contained PNP Flasher

Client:

5mm Dot Grid

Designer: Scott A. Campbell

Builder:

Scale:

2:1