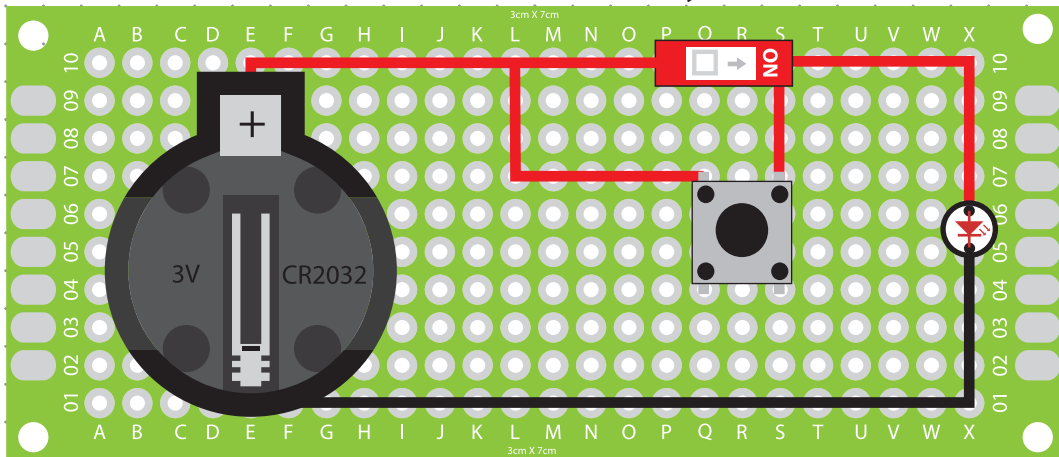
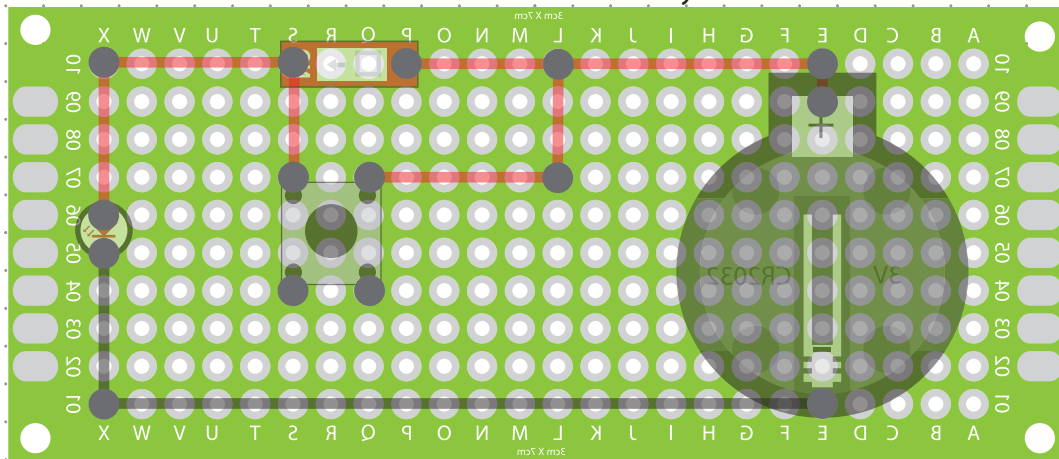


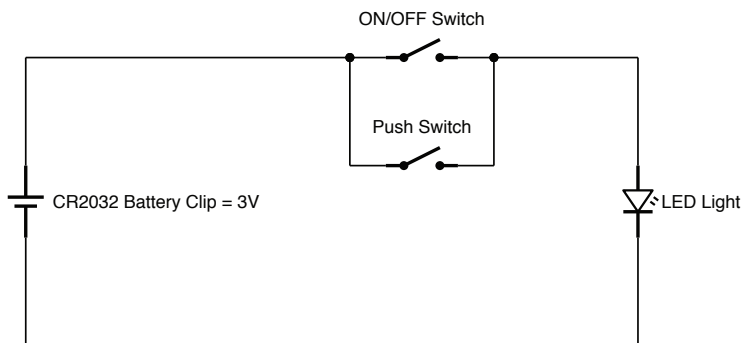
Front View: Circuit Board Layout



Back View: Circuit Board Layout



Electrical Schematics



Materials:

- 1 3x7cm Circuit Board
- 1 CR2032 Battery Clip
- 1 ON/OFF Switch
- 1 Push Switch
- 1 LED Light (Any Colour)
- 1 20cm Length of Red Wire
- 1 15cm Length of Black Wire

Project: Self Contained Flashlight Circuit Board

Client:

5mm Dot Grid

Designer: Scott A. Campbell

Builder:

Scale:

2:1