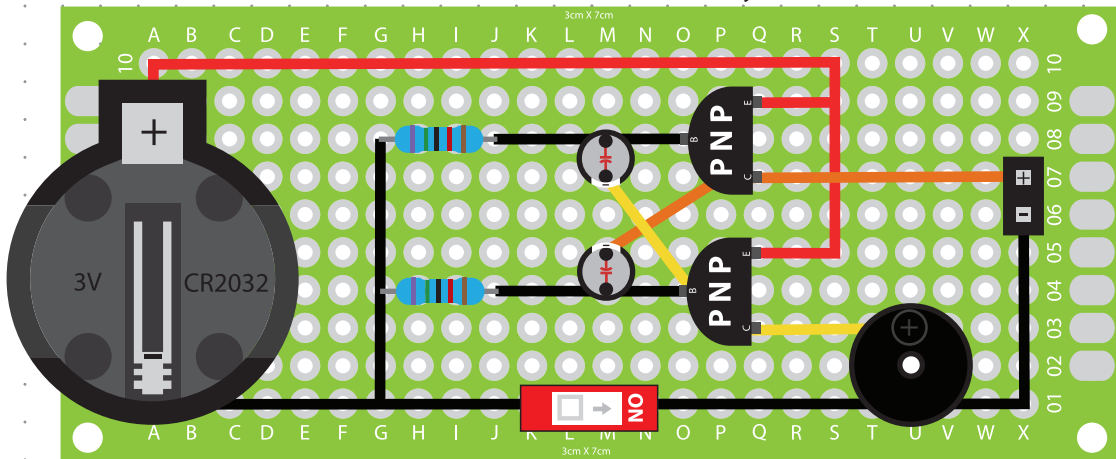
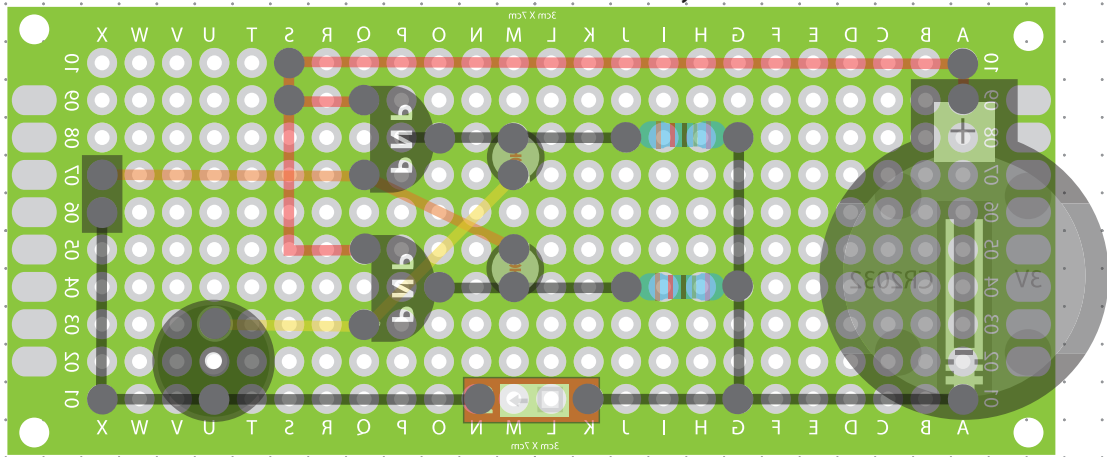


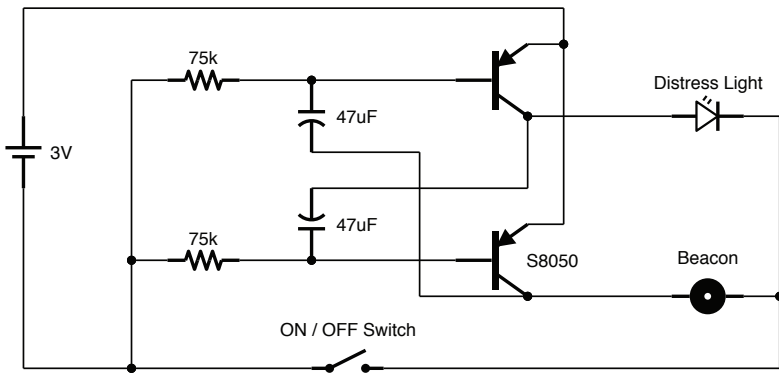
Front View: Circuit Board Layout



Back View: Circuit Board Layout



Electrical Schematics



Materials:

- 1 3x7cm Circuit Board
- 1 CR2032 Battery Clip
- 1 75 cm Assorted Wires
- 1 White LED / Female Bridge
- 2 S8050 PNP Transistors
- 2 47uf 16V Capacitors
- 1 ON / OFF Switch
- 2 75k Resistors
- 1 Buzzer

Project: Self Contained Beacon	Client:	5mm Dot Grid Scale: 2:1
Designer: Scott A. Campbell	Builder:	