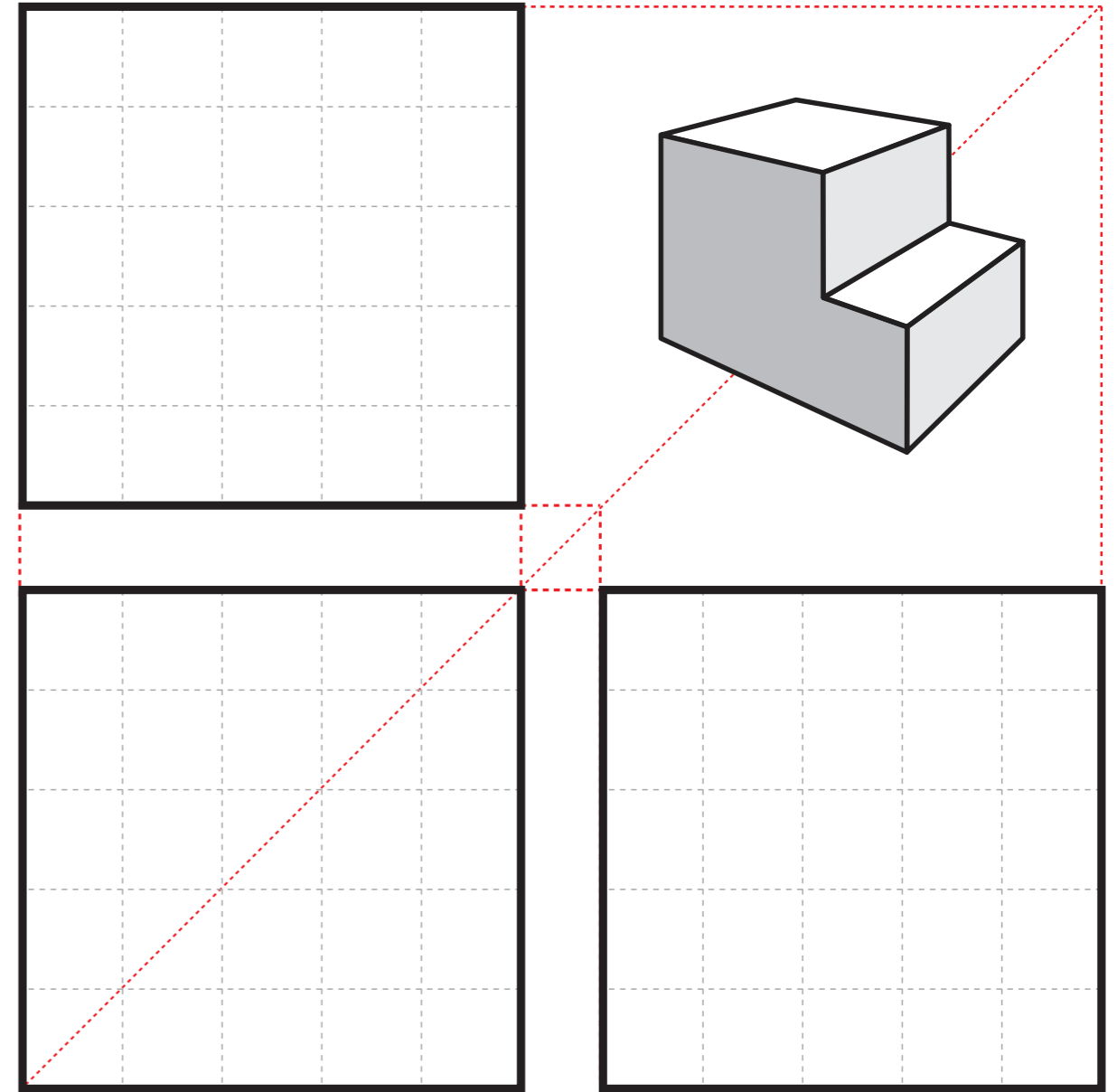


Orthographic Diagrams 正射图 (三视图)

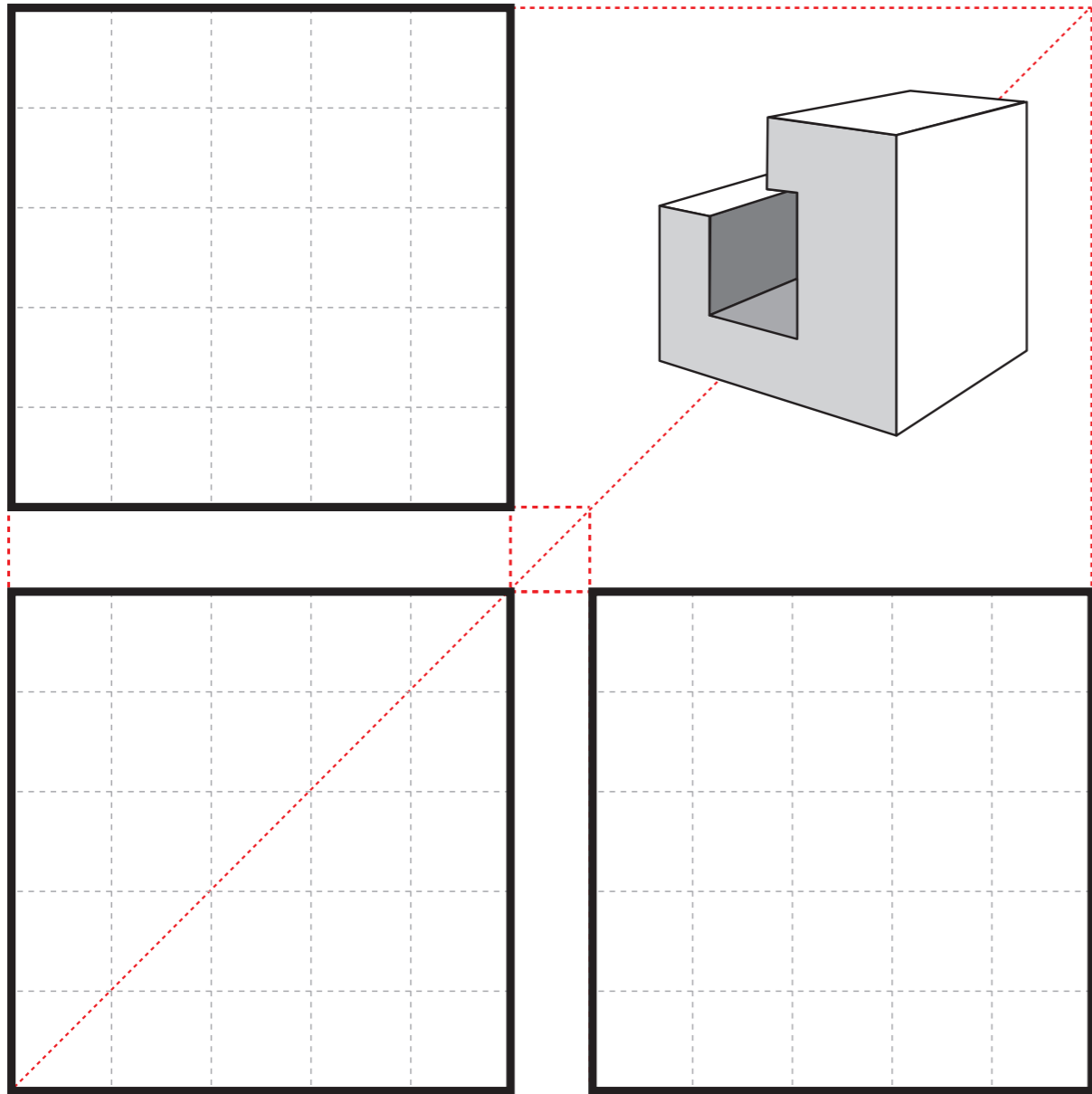
English Name 英文名字: _____ Grade and Class 年级班级: ____-____

Create an Orthographic Diagram of the provided 3D diagram.
给下列3D图设计一个正射图。



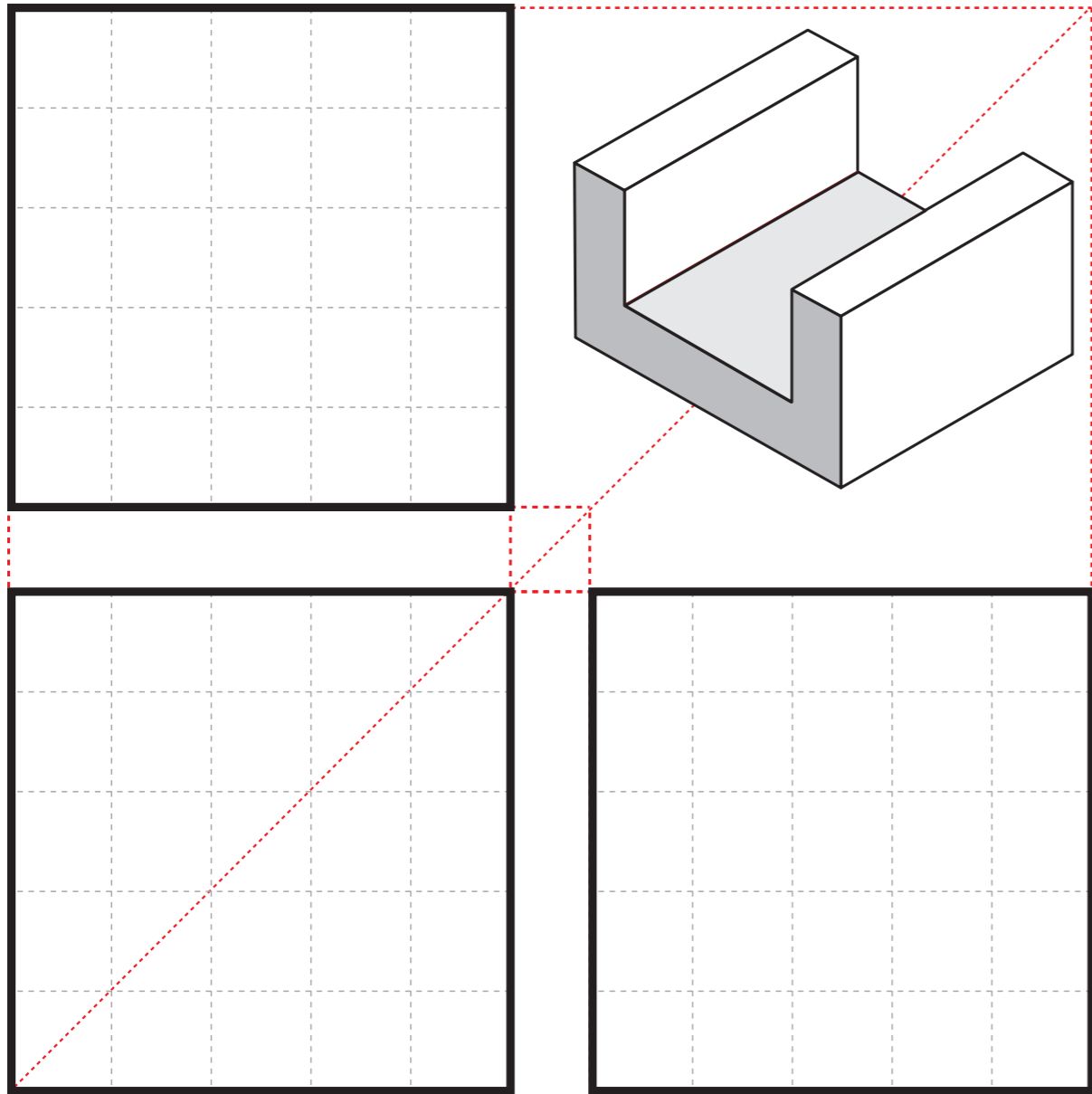
Now try and draw this shape in 3D on your own.
现在尝试自己绘制这个形状的3D图。

Create an Orthographic Diagram of the provided 3D diagram.
给下列3D图设计一个正射图。



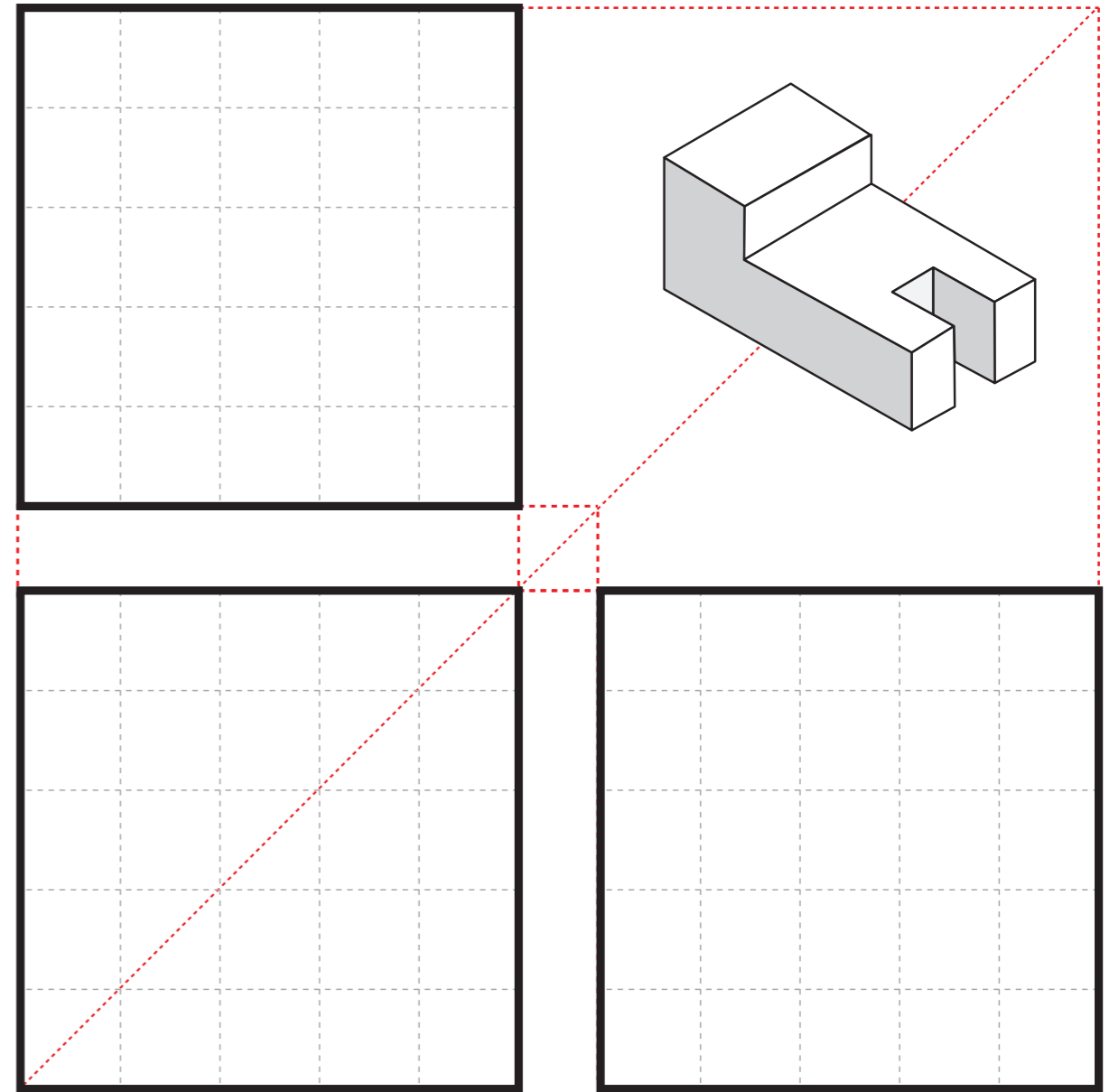
Now try and draw this shape in 3D on your own.
现在尝试自己绘制这个形状的3D图。

Create an Orthographic Diagram of the provided 3D diagram.
给下列3D图设计一个正射图。



Now try and draw this shape in 3D on your own.
现在尝试自己绘制这个形状的3D图。

Create an Orthographic Diagram of the provided 3D diagram.
给下列3D图设计一个正射图。



Now try and draw this shape in 3D on your own.
现在尝试自己绘制这个形状的3D图。