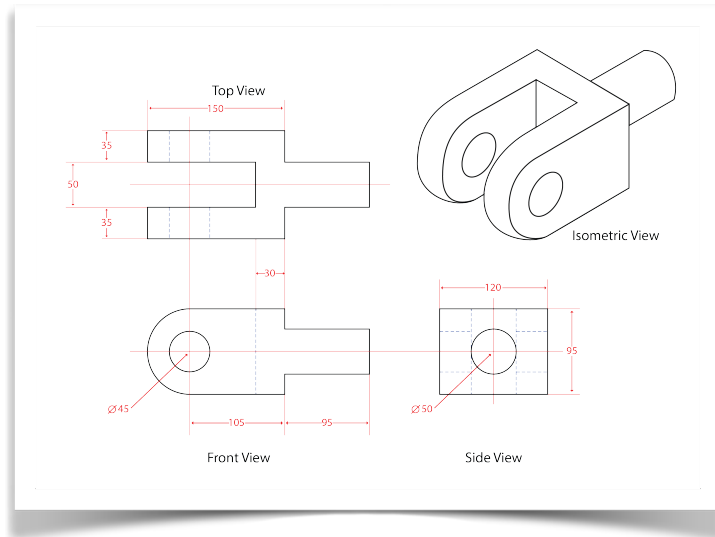


Orthographic Diagrams 正射图 (三视图)

English Name 英文名字: _____ Grade and Class 年级班级: _____ - _____

Orthographic Diagrams | 正射图



Orthographic drawing show schematic details of an object. Typically Orthographic Drawing are done in CAD software (Computer Aided Design Software). Every machined product was first design as an Orthographic drawing in a CAD program before it was manufactured. Every toy, car part, even the pens you use in class were all designed in a CAD program before a machine made each product you use everyday.

正射图是一个物体的图解视图。通常情况下正射图是在CAD（计算机辅助设计软件）软件里完成的。任何一件机器加工产品在生产之前都是要通过CAD设计出一个正射图的。每一个玩具、汽车零部件，甚至是你所用的笔在机器把他们生产出来都是要通过CAD来设计的。

Orthographic Drawings show 3 views Top, Front, and Side views. An optional 3D diagram may also be included that shows the scale, angles and shape of the object. This is called an Isometric Drawing. Any visible detail is shown with a solid line. Details that are not visible in a particular view are shown with a dashed line. These lines are called “**Construction Lines**”. Measurements can be included on a Orthographic drawings but are not a required.

正射图有3种视图：俯视图，正视图和侧视图。也可以把3D图廊括进来,通过3D图可以查看该物体的规模、角度和形状。用实线来表示可以看得见的部分，用虚线来表示看不见的部分。这些线叫做“**构造线**”。在正射图中也可以把测量数据显示出来，但不是必须的。

Orthographic Diagrams 正射图 (三视图)

Orthographic Diagram Vocabulary | 正射图词汇

3 View Diagram	三视图
Dashed Construction Line	虚线
Orthographic Diagram	正射图
Front View	正 (主) 视图
Reference Line	参照线
Side View	侧视图
Solid Construction Line	实线
Top View	俯视图

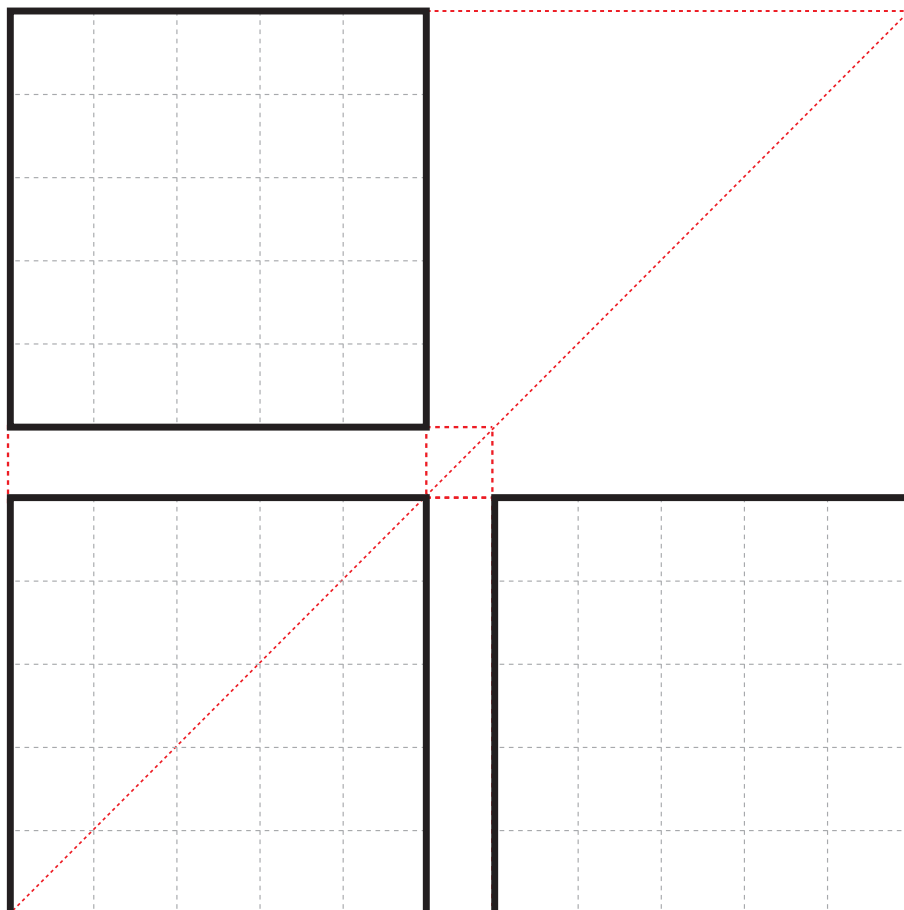
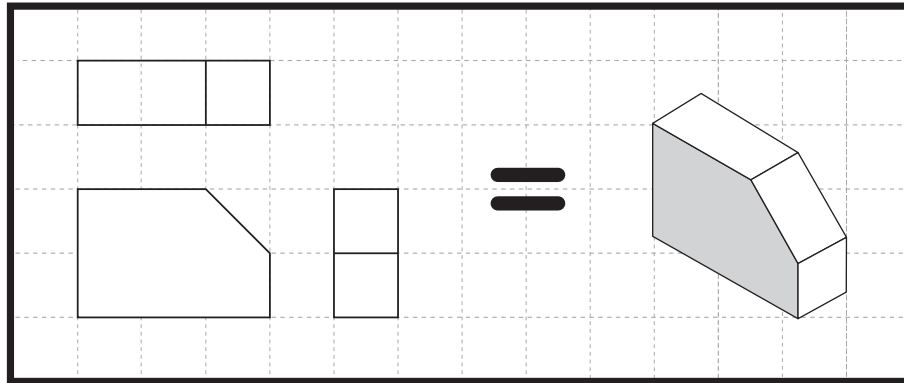
Drawing Tools Vocabulary | 绘图工具词汇

Eraser	橡皮
Pencil	铅笔
Pen	钢笔
Ruler	尺子

Orthographic Diagrams 正射图 (三视图)

Use "Reference Lines" to help recreate this simple Orthographic Drawing.

使用“参照线”创建简易的正射图。



Orthographic Diagrams 正射图 (三视图)

Extra Templates: If you were not successful on your first attempt try again and improve your drawing. Remember Practice Makes Perfect.

附加模板: 如果前一个绘图做的不好, 这里可以再重新尝试一次哦, 希望你能成功。
记住: 熟能生巧!

