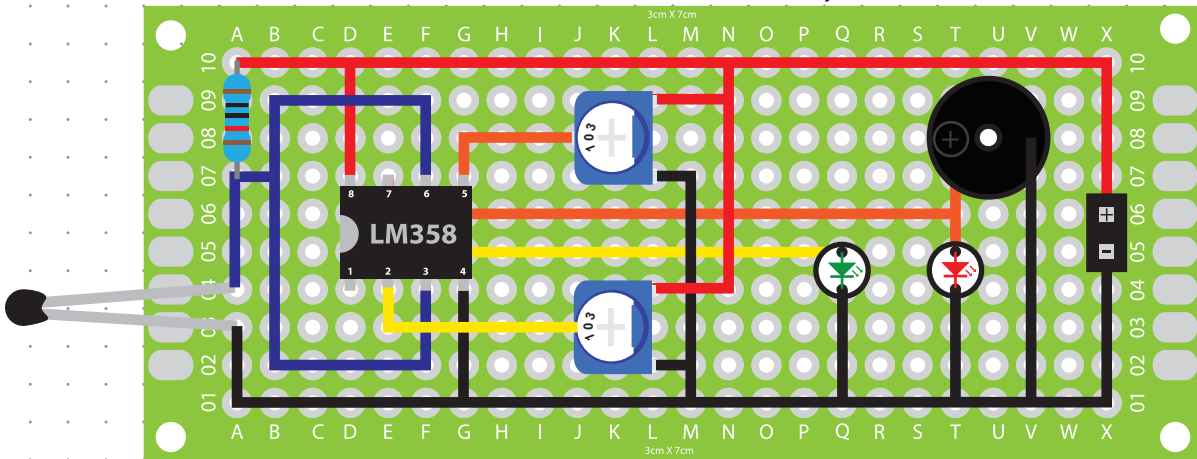
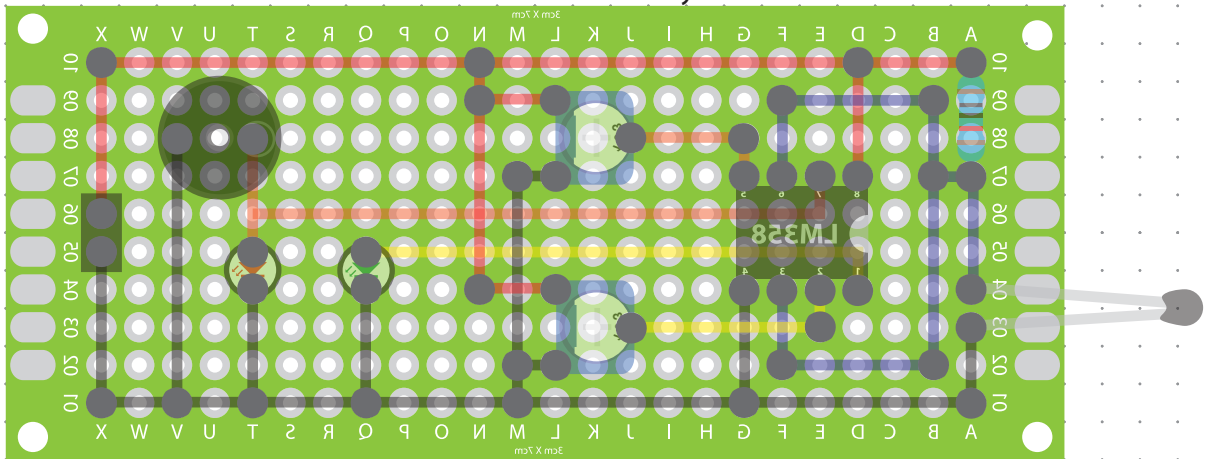


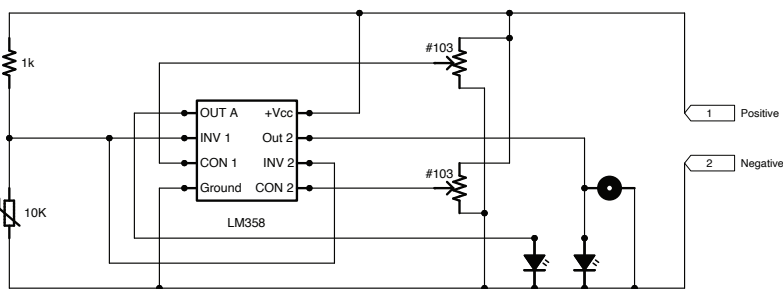
Front View: Circuit Board Layout



Back View: Circuit Board Layout



Electrical Schematics



Materials:

- 1 3x7cm Circuit Board
- 2 Bridge Pins
- 1 DIP 8 IC Cradle
- 1 LM358 OP-AMP IC
- 1 1K Resistors
- 2 #103 variable resistor
- 1 Green LED
- 1 Red LED
- 1 Buzzer

Project: LM358 High Temperature Alarm

Client:

5mm Dot Grid

Designer: Scott A. Campbell

Builder:

Scale:

2:1