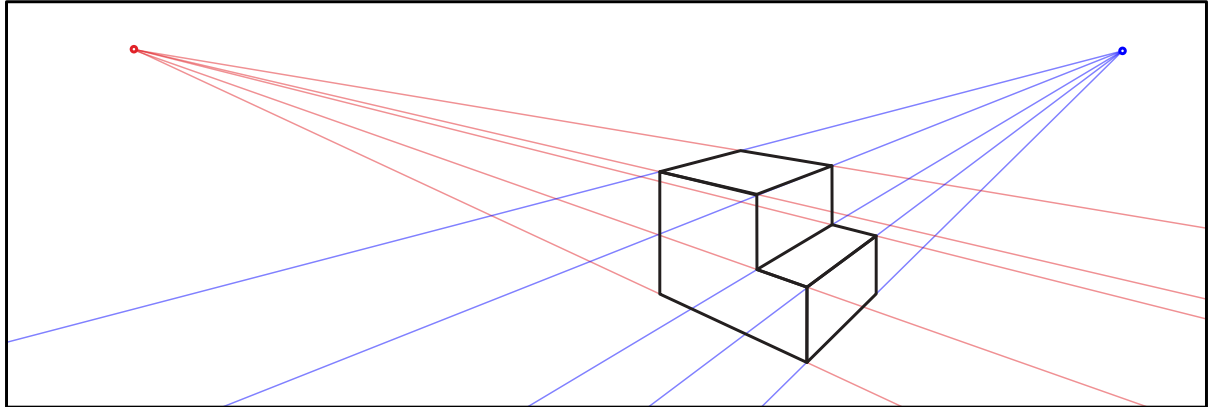


Drawing With Perspective 视角绘图

English Name 英文名字: _____ Grade and Class 年级班级: _____ - _____

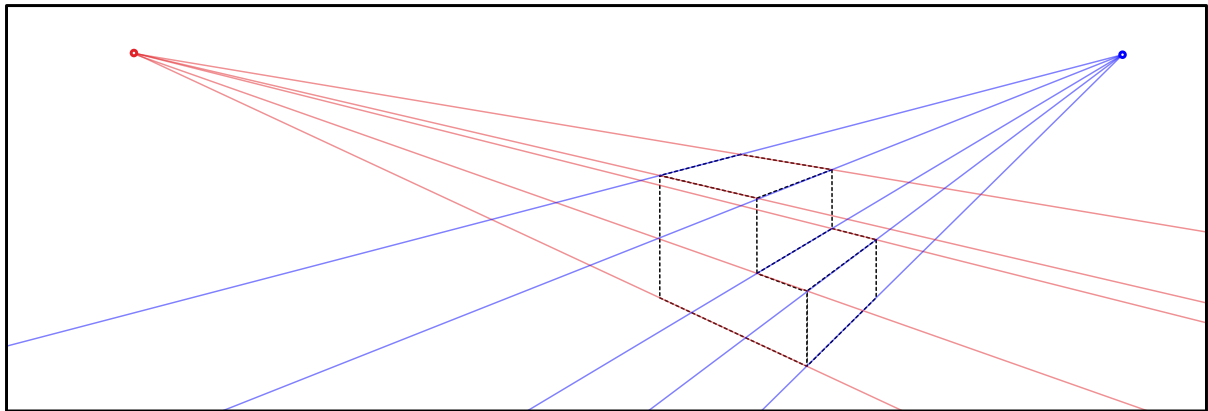
Look at the example. Try drawing this box using 2 point perspective. The two perspective points are shown using different coloured lines, Red and Blue. All the perspective guidelines originate from one location and spread out like a fan.

请看下例，该图是使用2个视角画出来的，且分别用红色线和蓝色线标注出来，而所有的同种线条都是从一个点发射出来就像一把扇子。



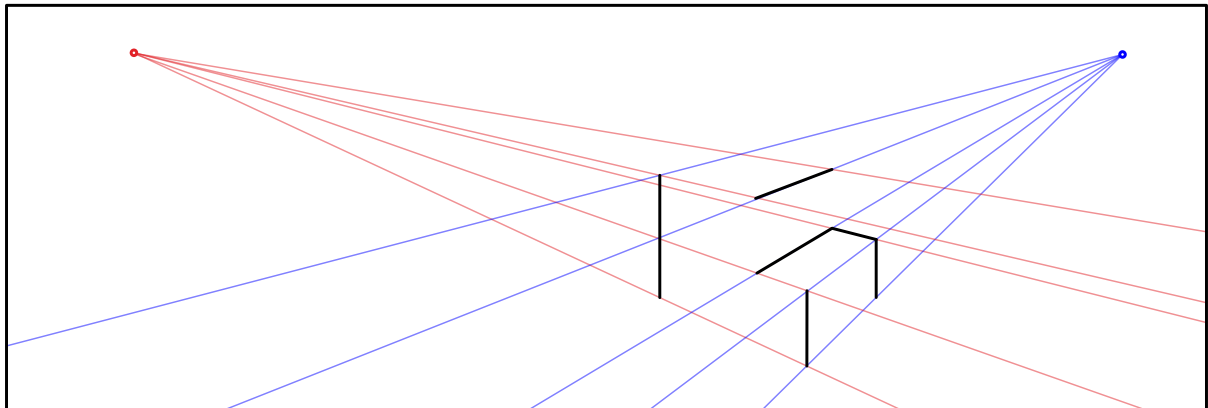
Trace the example to practice drawing a picture using 2 point perspective.

使用2点视角绘出上例图片。



Complete the picture of the box.

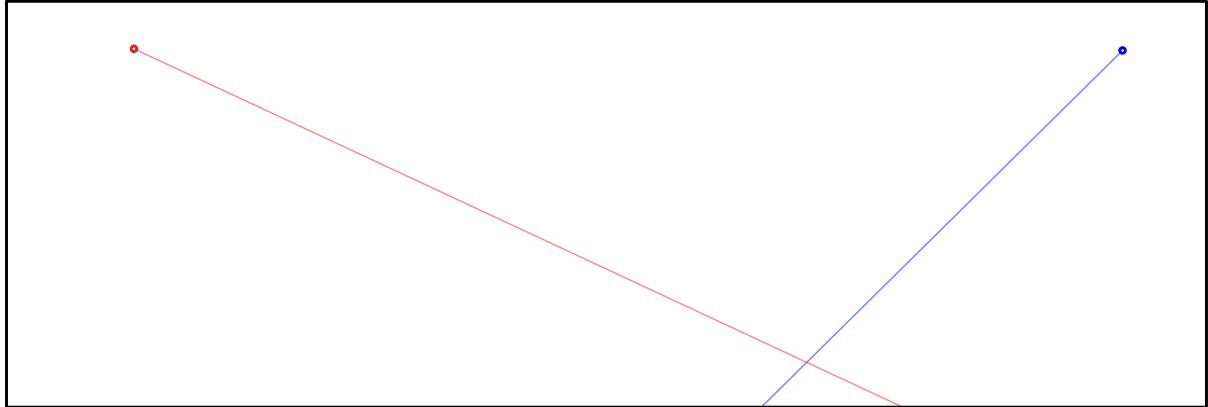
完成下图。



Drawing With Perspective 视角绘图

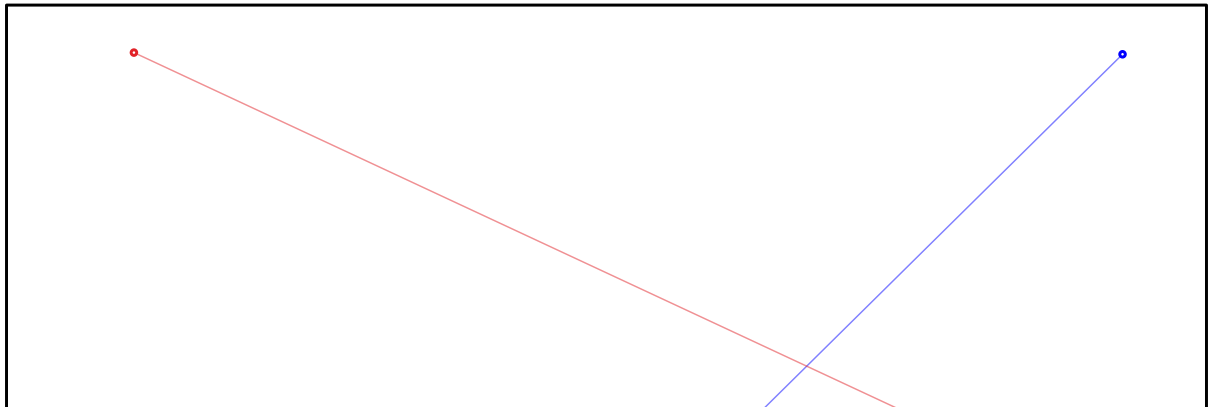
Try drawing a complex shape with perspective. You will need to draw additional guidelines. Your box can be a different shape and size than the example.

试图用视角绘图绘制出一个复杂的图形，添加线条你的绘图将会呈现出与例图不一样的形状和大小。



Extra Templates: If you were not successful on your first attempt try again and improve your drawing. Remember Practice Makes Perfect.

附加模板：如果前一个绘图做的不好，这里可以再重新尝试一次哦，希望你能成功。
记住：熟能生巧！



Remember... Practice Makes Perfect!

记住。。。熟能生巧！

