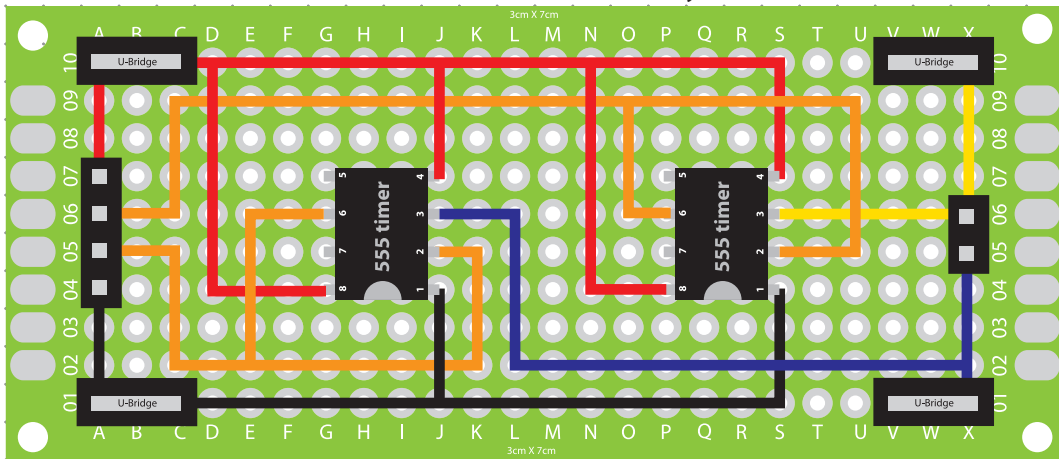
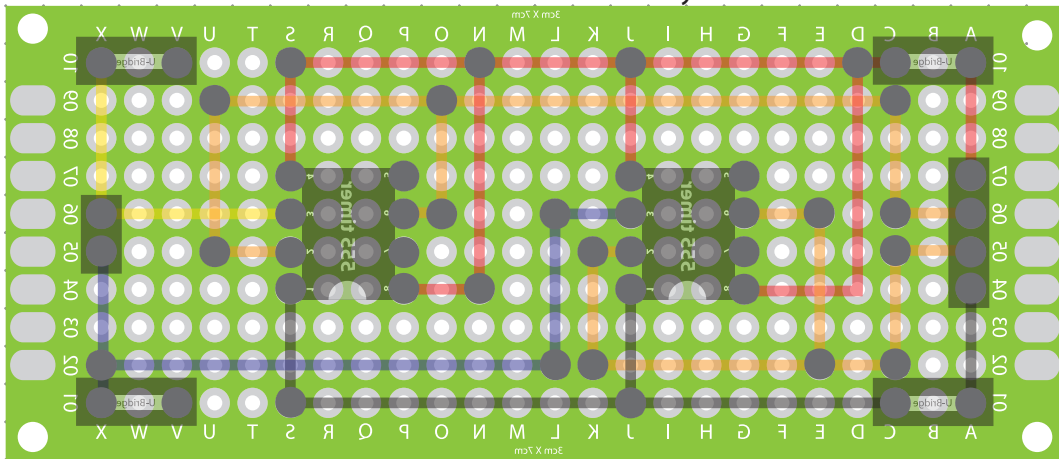


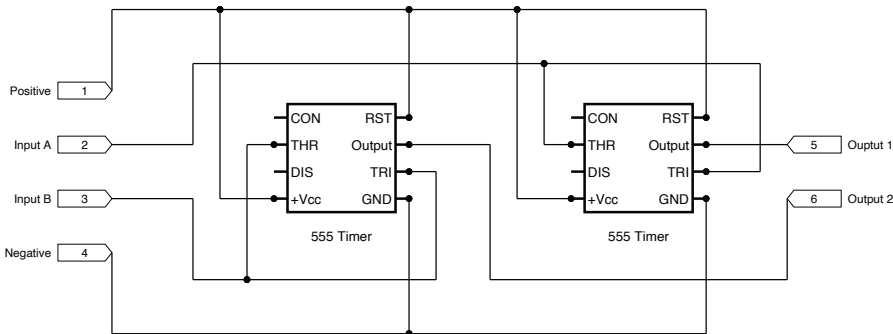
Front View: Circuit Board Layout



Back View: Circuit Board Layout



Electrical Schematics



Materials:

- 1 3x7cm Circuit Board
- 4 Bridge Pins
- 1 2-Pin Female Bridges
- 4 U-bridge connectors
- 2 555 Timer IC
- 2 DIP 8 IC Cradles (Optional)
- 1 75cm assorted wires

Project: Digital A/B H-Bridge using 555 timers

Client:

5mm Dot Grid

Designer: Scott A. Campbell

Builder:

Scale:

2:1