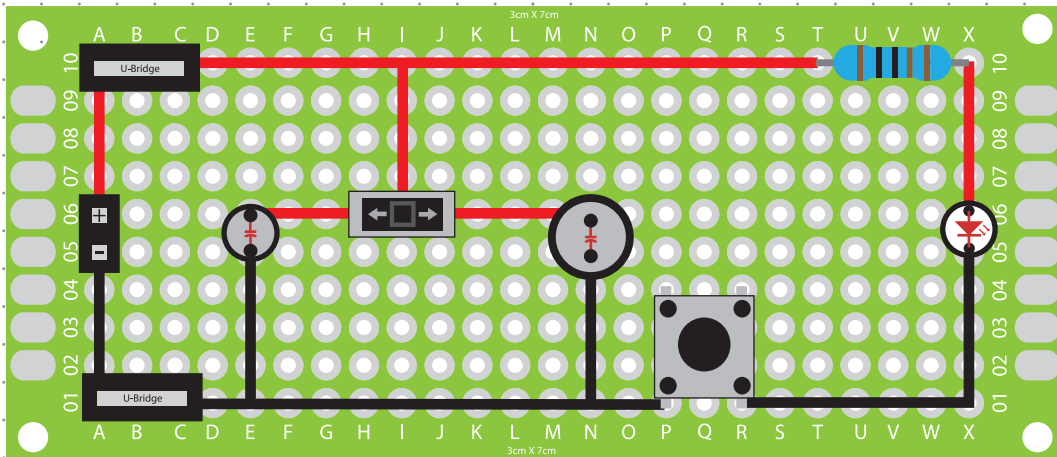
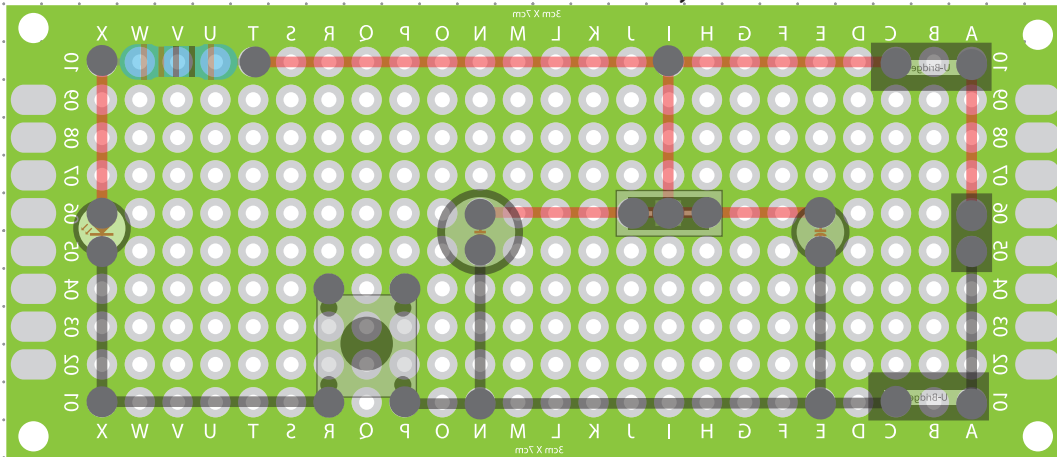


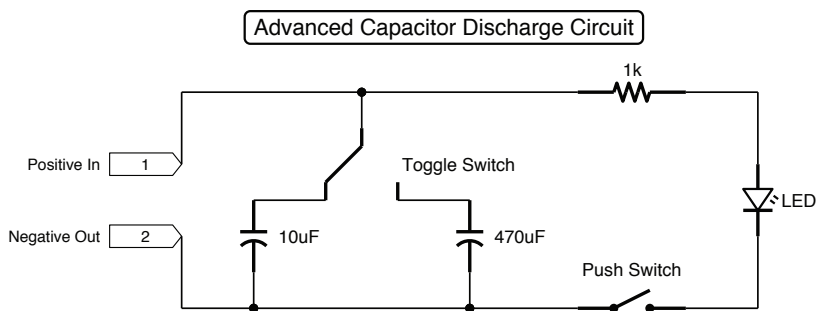
### Front View: Circuit Board Layout



### Back View: Circuit Board Layout



### Electrical Schematics



### Materials:

- 1 3x7cm Circuit Board
- 2 Bridge Pin Connectors
- 2 U-Type Bridge Connectors
- 1 1K Resistor
- 1 Two Way Toggle Switch
- 1 10uF (1.0A 25V ) Capacitor
- 1 470uF (1.0A 25V) Capacitor
- 1 LED Light (Any Colour)
- 1 20cm Length of Red Wire
- 1 10cm Length of Black Wire

Project: Advanced Capacitor Discharge Circuit

Client:

5mm Dot Grid

Designer: Scott A. Campbell

Builder:

Scale:

2:1